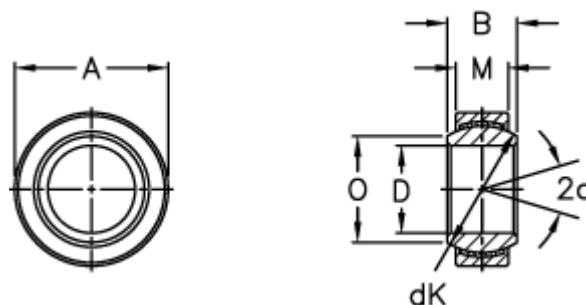


Article number: 03442012

Description: Fluro Rod end GE 12EC-NIRO

## Measures

---



A	= 22 0 -0,009	Tilt angle = 11
B	= 10	Weight = 16
D	= 12 0 -0,008	
dK	= 18	
Dynamic load C (kN)	= 14	
M	= 7	
O	= 14.9	
Static load C0 (kN)	= 32	